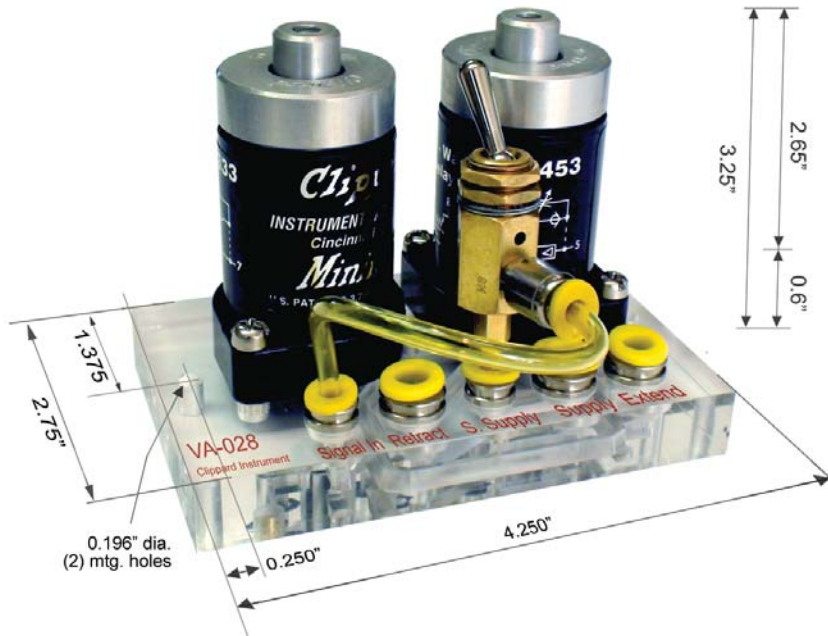




## Auto-Cycling of a Double-Acting Cylinder



**Size:** 2.75" x 4.25" x 3.25"

**Temperature:** 32 to 140°F

**Pressure Range:** 40 to 150 psig

**Use:** Similar to the VA-06, this is a more compact version designed for automatic cycling of double-acting cylinders without the use of limit valves or a magnetic sensor.

**Operation:** This circuit enables a double-acting cylinder to reciprocate without the use of limit valves and to control its speed in each direction. The two R-333 and R-453 valves also incorporate adjustable delay features that will control the time between retract and extend cycles.

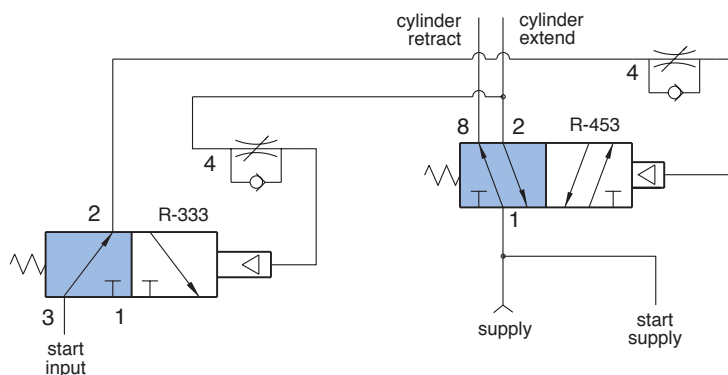
Part No.	Description
VA-028	Auto-Cycling of a Double-Acting Cylinder

### Bill of Materials in Assembly

Qty.	Part No.	Description
1	R-333	3-Way Modular Multi-Piloted Valve
1	R-453	4-Way Modular Valve
1	TV-3S	On-Off Toggle Valve
1	11675-05	Fitting Adapter
1	CM-028-PO	Circuit Manifold
1	PQ-CC05N	5/32" Male Connector Push-Quick Fitting
4'	URT1-0503-YLT	5/32" O.D. Polyurethane Tubing, Yellow
10'	URT1-0805-GNT	1/4" O.D. Polyurethane Tubing, Green

All components are also available for individual purchase

The CM-028 subplate is available with 1/8" NPT and #10-32 threads



# air cylinders

## Performance that Engineers have Learned to Trust.

For the past 50 years, Clippard has been providing quality cylinders for thousands of applications around the world. Cylinders that are responsible for millions of production cycles. Cylinders that provide outstanding performance and payback.

Cylinders that are guaranteed to work harder—for you.



See Pages 1 through 93